

www.equip-info.net

Projector Ceiling Mount Bracket

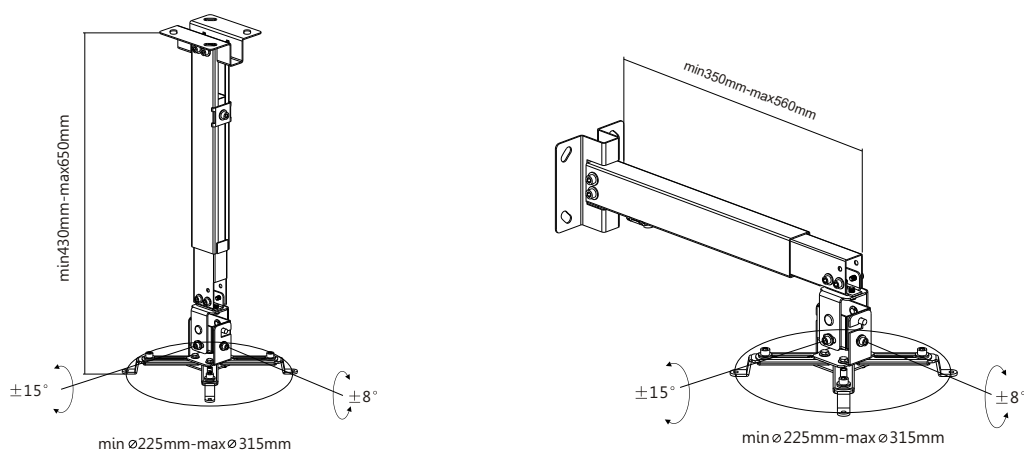
Model No.: 650702 (Black), 650703 (White)



I Overview

The equip[®] Universal Projector Ceiling/Wall Mount Bracket is a compact but sturdy product that ensures a reliable installation of your projector. Follow the graphic guide included in the package, you can install your projector on your own with ease.

I Drawing



www.equip-info.net

I Key Features

- Length and Height adjustment
- Built in Cable Management

I Specification

Material	Aluminum
Steel Surface Finished	Sand-Blasted Aluminum, Anodized
Color	Silver
Dimension	237x203x650mm
Load Capacity	20KG
Mounting Range	225 ~ 316mm
Tilt Range	+15°~-15°
Swivel Range	+8° ~ -8°
Rotation	No
Distance to Wall	365 ~ 600mm
Cable Management	Yes

I Package Contents

- 1 x Projector Bracket
- 1 x Screw Pack
- 1 x Quick Installation Guide

